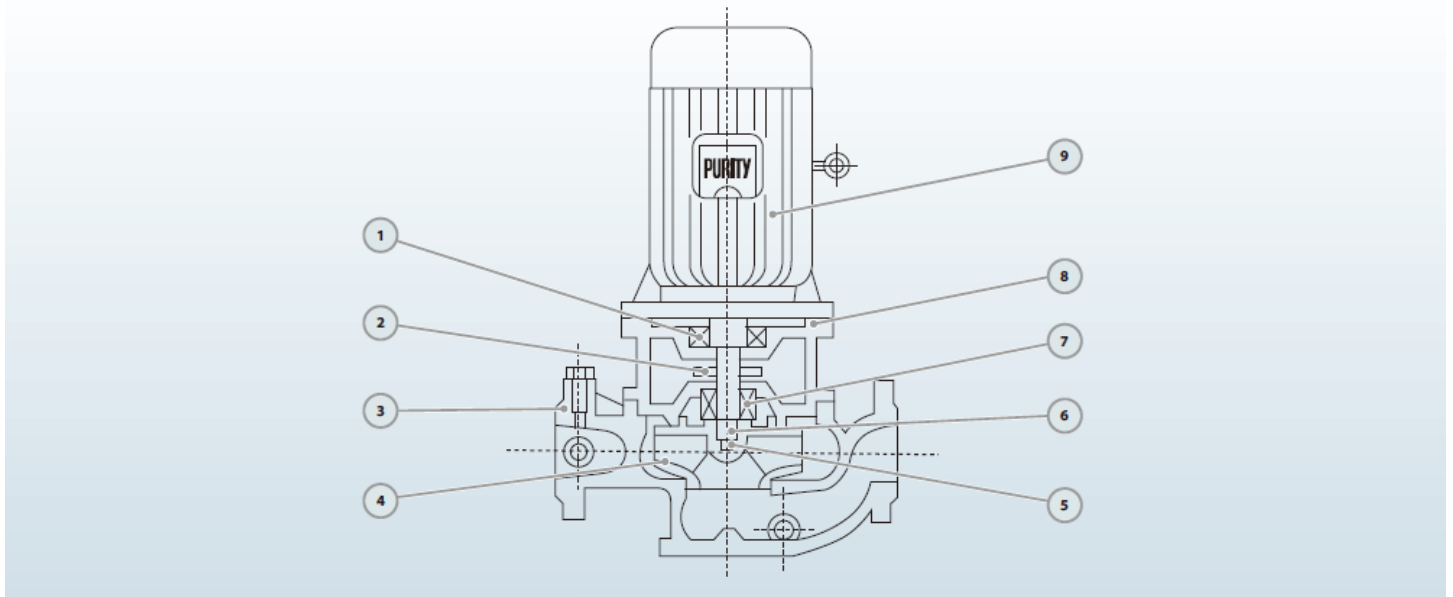


## Material Description



No.	Description <i>Descripción</i>	Material <i>Material</i>	No.	Description <i>Descripción</i>	Material <i>Material</i>	No.	Description <i>Descripción</i>	Material <i>Material</i>
1	Pump Case <i>Cuerpo de Bomba</i>	Cast iron <i>Fundición</i>	4	Connection <i>Conexión</i>	Cast iron <i>Fundición</i>	7	Water Deflector <i>Deflector</i>	Rubber <i>Caucho</i>
2	Impeller <i>Impulsor</i>	SS304/Cast iron <i>Inox 304/Fundición</i>	5	Base <i>Base</i>	Cast iron <i>Fundición</i>	8	Shaft <i>Eje</i>	SS304/45# Steel <i>Inox 304/45# Hierro</i>
3	Mechanical Seal <i>Cierre Mecánico</i>	SiC/Carbon/SS304 <i>SiC-Grafito-Inox304</i>	6	Motor <i>Motor</i>	IP55 Class F <i>IP55 Clase F</i>	9	Impeller Key <i>Chaveta Impulsor</i>	Iron <i>Hierro</i>

## Models

**TECHNICAL DATA / DATOS TÉCNICOS**

**50Hz n=2900 1/min**

MODEL MODELO	Power Potencia		Flow Caudal	Head Altura	DN	Wt	Dim
	kw	hp					
25-125	0.75	1	4	20	25x25	28	26x23x43
25-125A	0.75	1	3.6	16	25x25	27	26x23x43
25-160	1.5	2	4	32	25x25	39	30x27x43
25-160A	1.1	1.5	3.7	28	25x25	34	30x27x43
32-125	0.75	1	5	20	32x32	28	26x23x44
32-125A	0.75	1	4.5	16	32x32	28	26x23x44
32-160	1.5	2	4.5	32	32x32	39	32x27x50
32-160A	1.1	1.5	4	28	32x32	38	32x27x41
32-200	3	4	4.5	50	32x32	55	34x33x54
32-200A	2.2	3	4	44	32x32	74	34x33x54
40-100	0.75	1	6.3	12.5	40x40	32	26x23x44
40-125	1.1	1.5	6.3	20	40x40	34	26x23x44
40-125A	0.75	1	5.6	16	40x40	33	28x23x44
40-160	2.2	3	6.3	32	40x40	47	32x27x50
40-160A	1.5	2	5.9	28	40x40	43	32x27x50
40-160B	1.1	1.5	5.5	24	40x40	38	32x27x50
40-200	4	5.5	6.3	50	40x40	74	34x33x56
40-200A	3	4	5.9	44	40x40	62	34x33x56
40-200B	2.2	3	3.7	38	40x40	52	34x33x56
40-250	7.5	10	6.3	80	40x40	105	40x40x63
40-250A	5.5	7.5	5.9	70	40x40	98	40x40x63
40-250B	4	5.5	5.5	60	40x40	77	40x40x56
40-100(I)	1.1	1.5	12.5	12.5	40x40	34	30x23x45
40-100(I)A	0.75	1	11	10	40x40	32	30x23x45
40-125(I)	1.5	2	12.5	20	40x40	38	30x24x46
40-125(I)A	1.1	1.5	11	16	40x40	33	30x24x45
40-160(I)	3	4	12.5	32	40x40	56	34x30x55
40-160(I)A	2.2	3	11.7	28	40x40	47	34x30x51
40-200(I)	5.5	7.5	12.5	50	40x40	85	36x35x63
40-200(I)A	4	5.5	11.7	44	40x40	75	36x35x57
40-200(I)B	3	4	10.6	36	40x40	63	36x35x55
40-250(I)	11	15	12.5	80	40x40	145	45x43x78
40-250(I)A	7.5	10	11.6	70	40x40	95	45x36x65
40-250(I)B	7.5	10	10.8	60	40x40	94	45x36x65
50-100	1.1	1.5	12.5	12.5	50x50	36	29x23x45
50-100A	0.75	1	11	10	50x50	35	29x23x45
50-125	1.5	2	12.5	20	50x50	43	30x24x46
50-125A	1.1	1.5	11	16	50x50	38	30x24x45
50-160	3	4	12.5	32	50x50	59	32x30x55
50-160A	2.2	3	11.7	28	50x50	51	32x30x51
50-160B	1.5	2	10.4	22	50x50	47	32x40x49
50-200	5.5	7.5	12.5	50	50x50	101	36x35x63
50-200A	4	5.5	11.7	44	50x50	80	36x35x57
50-200B	3	4	10.6	36	50x50	68	36x35x55
50-250	11	15	12.5	80	50x50	160	44x43x78
50-250A	7.5	10	11.6	70	50x50	115	44x43x65
50-250B	7.5	10	10.8	60	50x50	114	44x36x65
50-100(I)	1.5	2	25	12.5	50x50	41	32x23x48
50-100(I)A	1.1	1.5	22.3	10	50x50	36	32x23x46
50-125(I)	3	4	25	20	50x50	56	34x28x55
50-125(I)A	2.2	3	22.3	16	50x50	48	34x28x52

MODEL MODELO	Power Potencia		Flow Caudal	Head Altura	DN	Wt	Dim
	kw	hp					
50-160(I)	4	5.5	25	32	50x50	72	36x30x57
50-160(I)A	4	5.5	23.4	28	50x50	71	36x30x57
50-160(I)B	3	4	21.6	24	50x50	59	36x30x55
50-200(I)	7.5	10	25	50	50x50	108	38x35x64
50-200(I)A	7.5	10	23.5	44	50x50	107	38x35x64
50-200(I)B	5.5	7.5	21.8	38	50x50	100	38x35x64
50-250(I)	1.5	2	25	80	50x50	175	46x44x79
50-250(I)A	11	15	23.4	70	50x50	165	46x44x79
50-250(I)B	11	15	21.6	60	50x50	165	46x44x79
50-315(I)	30	40	25	125	50x50	310	55x51x92
50-315(I)A	22	30	23.7	113	50x50	245	55x47x86
50-315(I)B	18.5	25	22.5	101	50x50	215	55x44x83
65-100	1.5	2	25	12.5	65x65	46	32x23x47
65-100A	1.1	1.5	22.3	10	65x65	41	32x23x46
65-125	3	4	25	20	65x65	58	34x28x55
65-125A	2.2	3	22.3	16	65x65	49	34x28x52
65-160	4	5.5	25	32	65x65	75	36x31x57
65-160A	4	5.5	23.4	28	65x65	75	36x31x57
65-160B	3	4	21.6	24	65x65	63	36x31x55
65-200	7.5	10	25	50	65x65	107	38x35x63
65-200A	7.5	10	23.5	44	65x65	107	38x35x63
65-200B	5.5	7.5	21.8	38	65x65	100	38x35x63
65-250	15	20	25	80	65x65	180	48x44x79
65-250A	11	15	23.4	70	65x65	170	48x44x79
65-250B	11	15	21.6	60	65x65	170	48x44x79
65-315	30	40	25	125	65x65	320	55x51x92
65-315A	22	30	23.7	113	65x65	255	55x47x86
65-315B	18.5	25	22.5	101	65x65	225	55x44x83
65-100(I)	3	4	50	12.5	65x65	63	40x28x57
65-100(I)A	2.2	3	44.7	10	65x65	53	40x24x54
65-125(I)	5.5	7.5	50	20	65x65	99	40x36x66
65-125(I)A	4	5.5	45	16	65x65	78	40x32x60
65-160(I)	7.5	10	50	32	65x65	103	40x36x66
65-160(I)A	7.5	10	46.7	28	65x65	103	40x36x66
65-160(I)B	5.5	7.5	43.4	24	65x65	97	40x32x66
65-200(I)	15	20	50	50	65x65	176	45x43x80
65-200(I)A	11	15	47	44	65x65	166	45x43x80
65-200(I)B	7.5	10	43.3	38	65x65	114	45x43x67
65-250(I)	22	30	50	80	65x65	235	48x47x87
65-250(I)A	18.5	25	46.7	70	65x65	205	48x43x85
65-250(I)B	15	20	43.3	60	65x65	180	48x43x81
65-315(I)	37	50	50	125	65x65	350	58x53x100
65-315(I)A	30	40	46.5	110	65x65	335	58x53x100
80-100	3	4	50	12.5	80x80	63	40x28x57
80-100A	2.2	3	44.7	10	80x80	54	40x24x54
80-125	5.5	7.5	50	20	80x80	99	40x36x66
80-125A	4	5.5	45	16	80x80	79	40x32x60
80-160	7.5	10	50	32	80x80	105	40x36x66
80-160A	7.5	10	46.7	28	80x80	105	40x36x66
80-160B	5.5	7.5	43.4	24	80x80	98	40x36x66
80-200	15	20	50	50	80x80	175	43x43x80

**TECHNICAL DATA / DATOS TÉCNICOS**

**50 Hz n=2900 1/min**

MODEL MODELO	Power Potencia		Flow Caudal	Head Altura	DN	Wt	Dim
	kw	hp					
80-200A	11	15	47	44	80x80	165	43x43x80
80-200B	7.5	10	43.3	38	80x80	115	43x36x66
80-250	22	30	50	80	80x80	240	48x47x87
80-250A	18.5	25	46.7	70	80x80	210	48x43x85
80-250B	15	20	43.3	60	80x80	185	48x43x81
80-315	37	50	50	125	80x80	355	58x53x100
80-315A	30	40	46.5	110	80x80	340	58x53x100
80-315B	30	40	44.5	100	80x80	340	58x53x100
80-315C	22	30	41	85	80x80	275	58x47x89
80-350	55	75	50	150	80x80	535	64x64x117
80-350A	45	60	44.5	142	80x80	420	64x58x108
80-350B	37	50	41	135	80x80	366	64x52x104
80-100(I)	5.5	7.5	100	12.5	80x80	108	46x36x68
80-100(I)A	4	5.5	89	10	80x80	87	46x36x62
80-125(I)	11	15	100	20	80x80	163	45x43x81
80-125(I)A	7.5	10	89	16	80x80	113	45x35x67
80-160(I)	15	20	100	32	80x80	184	50x43x84
80-160(I)A	11	15	93.5	28	80x80	174	50x43x84
80-160(I)B	11	15	86.6	24	80x80	174	50x43x84
80-200(I)	22	30	100	50	80x80	251	48x48x88
80-200(I)A	18.5	25	93.5	44	80x80	220	48x43x86
80-200(I)B	15	20	87	38	80x80	198	48x43x81
80-250(I)	37	50	100	80	80x80	330	55x52x102
80-250(I)A	30	40	93.5	70	80x80	315	55x52x102
80-250(I)B	30	40	87	60	80x80	315	55x52x102
80-315(I)	75	100	100	125	80x80	675	64x70x124
80-315(I)A	55	75	95	113	80x80	535	64x64x117
80-315(I)B	45	60	90	101	80x80	420	64x58x108
80-315(I)C	37	50	82	85	80x80	366	64x52x104
100-100	5.5	7.5	100	12.5	100x100	113	46x36x67
100-100A	4	5.5	89	10	100x100	91	46x32x62
100-125	11	15	100	20	100x100	169	44x43x81
100-125A	7.5	10	89	16	100x100	118	45x35x67
100-160	15	20	100	32	100x100	191	50x43x84
100-160A	11	15	93.5	28	100x100	181	50x43x84
100-160B	11	15	86.6	24	100x100	181	50x43x84
100-200	22	30	100	50	100x100	245	48x48x88
100-200A	18.5	25	93.5	44	100x100	215	48x43x86
100-200B	15	20	87	38	100x100	193	48x43x82
100-250	37	50	100	80	100x100	345	55x52x102
100-250A	30	40	93.5	70	100x100	330	55x52x102
100-250B	30	40	87	60	100x100	330	55x52x102
100-315	75	100	100	125	100x100	689	64x70x124
100-315A	55	75	95	113	100x100	549	64x64x117
100-315B	45	60	90	101	100x100	439	64x58x108
100-350	90	120	100	150	100x100	950	68x63x131
100-350A	75	100	88	142	100x100	830	68x63x126
100-350B	55	75	80	135	100x100	600	68x61x119
100-100(I)	11	15	160	12.5	100x100	115	50x42x80
100-125(I)	15	20	160	20	100x100	168	50x30x81
100-125(I)A	11	15	140	17	100x100	168	50x28x81

MODEL MODELO	Power Potencia		Flow Caudal	Head Altura	DN	Wt	Dim
	kw	hp					
100-160(I)	22	30	160	32	100x100	210	50x33x89
100-160(I)A	18.5	25	140	28	100x100	210	50x33x89
100-200(I)	37	50	160	50	100x100	402	54x36x97
100-200(I)A	30	40	140	45	100x100	395	54x35x97
100-200(I)B	22	30	100	40	100x100	360	54x35x97
100-250(I)	55	75	160	80	100x100	560	60x44x112
100-250(I)A	45	60	140	72	100x100	420	60x36x112
100-250(I)B	37	50	100	65	100x100	400	60x36x112
125-100	11	15	160	12.5	125x125	180	52x36x83
125-100A	7.5	10	143	10	125x125	125	52x36x83
125-125	15	20	160	20	125x125	220	52x43x84
125-125A	11	15	143	16	125x125	210	52x43x84
125-160	22	30	160	32	125x125	265	52x46x92
125-160A	18.5	25	150	28	125x125	230	52x43x89
125-160B	15	20	138	24	125x125	215	52x43x85
125-200	37	50	160	50	125x125	395	57x51x104
125-200A	30	40	150	44	125x125	380	57x51x104
125-200B	22	30	138	37.5	125x125	320	57x46x104
125-250	55	75	160	80	125x125	580	68x66x118
125-250A	45	60	150	70	125x125	490	68x57x108
125-250B	37	50	138	60	125x125	430	68x51x105
125-315	90	120	160	125	125x125	790	68x69x135
125-315A	75	100	150	110	125x125	710	68x69x130
125-315B	75	100	143	100	125x125	705	68x69x135
125-315C	55	75	134	88	125x125	585	68x66x123
125-350	110	150	160	150	125x125	980	76x90x156
125-350A	90	120	150	142	125x125	800	76x70x133
125-350B	75	100	143	135	125x125	724	76x70x121
150-125	11	15	160	20	150x150	210	52x43x84
150-125A	7.5	10	150	16	150x150	130	52x43x84
150-160	22	30	160	32	150x150	270	52x43x85
150-160A	18.5	25	150	28	150x150	230	52x43x85
150-160B	15	20	140	24	150x150	220	52x43x85
150-200	37	50	160	50	150x150	395	57x51x104
150-200A	30	40	150	44	150x150	380	57x51x104
150-200B	22	30	138	37.5	150x150	320	57x46x104
150-250	75	100	160	80	150x150	702	70x70x128
150-250A	55	75	150	70	150x150	561	70x64x120
150-250B	45	60	138	60	150x150	460	70x59x112
150-315	110	150	200	125	150x150	980	76x90x156
150-315A	90	120	187	110	150x150	800	76x70x133
150-315B	75	100	173	95	150x150	724	76x70x121
150-350	110	150	160	150	150x150	980	76x90x156
150-350A	90	120	150	142	150x150	800	76x70x133
150-350B	75	100	140	135	150x150	724	76x70x121
150-250(I)	75	100	200	80	150x150	702	70x70x128
150-250(I)A	55	75	187	70	150x150	561	70x64x120
150-250(I)B	45	60	173	60	150x150	460	70x59x112
150-315(I)	110	150	200	125	150x150	980	76x90x156
150-315(I)A	90	120	187	110	150x150	800	76x70x133
150-315(I)B	75	100	173	95	150x150	724	76x70x121



**TECHNICAL DATA / DATOS TÉCNICOS**

**50 Hz n=1450 1/min**

MODEL MODELO	Power Potencia		Flow Caudal	Head Altura	DN	Wt	Dim
	kw	hp					
40-125(I)/4	0.55	0.75	6.3	5	40x40	42	34x30x55
40-160(I)/4	0.55	0.75	6.3	8	40x40	43	34x30x55
40-160(I)A/4	0.55	0.75	5.5	6	40x40	30	34x30x55
40-200(I)/4	0.75	1	6.3	12.5	40x40	45	36x35x64
40-200(I)A/4	0.55	0.75	5.8	11	40x40	44	36x35x57
40-250(I)/4	1.5	2	6.3	20	40x40	54	45x43x78
40-250(I)A/4	1.1	1.5	5.8	17	40x40	49	45x36x65
50-160/4	0.75	1	6.3	8	50x50	42	32x30x55
50-200/4	0.75	1	6.3	12.5	50x50	48	36x35x64
50-200A/4	0.75	1	5.5	9.5	50x50	46	36x35x57
50-250/4	1.5	2	6.3	20	50x50	58	44x43x78
50-250A/4	1.1	1.5	5.8	17	50x50	50	44x36x65
50-125(I)/4	0.55	0.75	12.5	5	50x50	44	34x28x55
50-160(I)/4	0.55	0.75	12.5	8	50x50	46	36x31x57
50-160(I)A/4	0.55	0.75	11	6	50x50	44	36x31x57
50-200(I)/4	1.1	1.5	12.5	12.5	50x50	52	38x35x64
50-200(I)A/4	0.75	1	11.2	10	50x50	48	38x35x64
50-250(I)/4	2.2	3	12.5	20	50x50	73	46x44x79
50-250(I)A/4	1.5	2	11.7	17.5	50x50	65	46x44x79
50-250(I)B/4	1.1	1.5	10	13	50x50	60	46x44x79
50-315(I)/4	4	5.5	12.5	32	50x50	89	55x51x92
50-315(I)A/4	3	4	11.7	28	50x50	84	55x47x86
50-315(I)B/4	3	4	10	21	50x50	82	55x44x83
65-125/4	0.55	0.75	12.5	5	65x65	41	34x28x55
65-160/4	0.75	1	12.5	8	65x65	46	36x31x57
65-160A/4	0.55	0.75	11	6	65x65	35	36x31x57
65-200/4	1.1	1.5	12.5	12.5	65x65	52	38x35x64
65-200A/4	0.75	1	11.2	10	65x65	48	38x35x64
65-250/4	2.2	3	12.5	20	65x65	76	48x44x79
65-250A/4	1.5	2	11.7	17.5	65x65	68	48x44x79
65-250B/4	1.1	1.5	10	13	65x65	63	48x44x79
65-315/4	4	5.5	12.5	32	65x65	89	55x51x92
65-315A/4	3	4	11.7	28	65x65	85	55x47x86
65-315B/4	3	4	10	21	65x65	82	55x44x84
65-125(I)/4	0.75	1	25	5	65x65	49	40x36x66
65-160(I)/4	1.1	1.5	25	8	65x65	54	40x36x66
65-160(I)A/4	0.75	1	22	6	65x65	48	40x36x66
65-200(I)/4	2.2	3	25	12.5	65x65	71	45x43x80
65-200(I)A/4	1.5	2	23.3	11	65x65	62	45x43x80
65-250(I)/4	3	4	25	20	65x65	85	48x47x87
65-250(I)A/4	3	4	22.2	15.8	65x65	80	48x43x85
65-250(I)B/4	2.2	3	20	12.8	65x65	74	48x43x81
65-315(I)/4	5.5	7.5	25	32	65x65	120	58x53x100
65-315(I)A/4	4	5.5	22.5	26	65x65	110	58x53x100
65-315(I)B/4	4	5.5	20	21	65x65	100	58x53x100
80-125/4	0.75	1	25	5	80x80	48	40x36x66
80-160/4	1.5	2	25	8	80x80	55	40x36x66
80-160A/4	1.1	1.5	22	6	80x80	51	40x36x66
80-200/4	2.2	3	25	12.5	80x80	72	43x43x80
80-200A/4	1.5	2	23.3	10	80x80	64	43x43x80
80-250/4	3	4	25	20	80x80	89	48x47x87

MODEL MODELO	Power Potencia		Flow Caudal	Head Altura	DN	Wt	Dim
	kw	hp					
80-250A/4	3	4	22.2	15.8	80x80	85	48x43x85
80-250B/4	2.2	3	20	12.8	80x80	78	48x43x81
80-315/4	5.5	7.5	25	32	80x80	130	58x53x100
80-315A/4	4	5.5	23	27.9	80x80	102	58x53x100
80-315B/4	4	5.5	22.3	25	80x80	95	58x53x100
80-125(I)/4	1.5	2	50	5	80x80	61	45x43x81
80-160(I)/4	2.2	3	50	8	80x80	82	50x43x84
80-160(I)A/4	1.5	2	44.7	6	80x80	74	50x43x84
80-160(I)B/4	1.5	2	43.2	5.8	80x80	74	50x43x84
80-200(I)/4	3	4	50	12.5	80x80	97	48x48x88
80-200(I)A/4	3	4	46.8	11	80x80	93	48x43x86
80-250(I)/4	5.5	7.5	50	20	80x80	134	55x52x102
80-250(I)A/4	4	5.5	46	17	80x80	106	55x52x102
80-250(I)B/4	3	4	40.5	13	80x80	100	55x52x102
80-315(I)/4	11	15	50	32	80x80	217	64x70x124
80-315(I)A/4	7.5	10	46	27.9	80x80	180	64x65x117
80-315(I)B/4	5.5	7.5	40.5	21	80x80	166	64x58x108
100-125/4	1.5	2	50	5	100x100	70	44x43x81
100-160/4	2.2	3	50	8	100x100	87	50x43x84
100-160A/4	1.5	2	46	6	100x100	79	50x43x84
100-200/4	3	4	50	12.5	100x100	100	48x48x88
100-200A/4	2.2	3	44.7	10	100x100	90	48x43x86
100-250/4	5.5	7.5	50	20	100x100	140	55x52x102
100-250A/4	4	5.5	46	17	100x100	112	55x52x102
100-250B/4	3	4	40.5	13	100x100	105	55x52x102
100-315/4	11	15	50	32	100x100	225	64x70x124
100-315A/4	7.5	10	46.7	27.9	100x100	180	64x64x117
100-315B/4	5.5	7.5	40.5	21	100x100	165	64x58x108
100-125(I)/4	2.2	3	80	5	100x100	95	50x30x81
100-160(I)/4	4	5.5	80	8	100x100	118	50x33x89
100-160(I)A/4	3	4	72	6	100x100	113	50x33x89
100-200(I)/4	5.5	7.5	80	12.5	100x100	148	54x36x97
100-200(I)A/4	4	5.5	72	10	100x100	123	54x35x97
100-250(I)/4	11	15	100	20	100x100	208	60x44x112
100-250(I)A/4	7.5	10	93.3	17.4	100x100	165	60x36x112
100-250(I)B/4	5.5	7.5	69	15	100x100	149	60x36x112
100-315(I)/4	15	20	80	32	100x100	234	63x45x129
100-315(I)A/4	11	15	75	27.5	100x100	213	63x45x129
100-315(I)B/4	7.5	10	72	24	100x100	165	63x45x129
100-400(I)/4	30	40	80	44	100x100	375	71x54x129
100-400(I)A/4	22	30	75	44	100x100	295	71x54x129
100-400(I)B/4	18.5	25	70	38	100x100	257	71x54x129
125-125/4	2.2	3	100	5	125x125	148	52x43x84
125-160/4	3	4	80	8	125x125	205	52x46x92
125-160A/4	2.2	3	69.3	6	125x125	165	52x43x89
125-200/4	5.5	7.5	80	12.5	125x125	249	54x51x104
125-200A/4	4	5.5	75	11	125x125	237	54x51x104
125-250/4	11	15	100	20	125x125	220	68x66x118
125-250A/4	7.5	10	93.3	17.4	125x125	210	68x57x108
125-250B/4	5.5	7.5	87	15	125x125	195	68x51x105
125-315/4	15	20	100	32	125x125	300	68x69x135

TECHNICAL DATA / DATOS TÉCNICOS

50 Hz n=1450 1/min

MODEL MODELO	Power Potencia		Flow Caudal	Head Altura	DN	Wt	Dim
	kw	hp					
125-315A/4	11	15	95	27	125x125	282	68x69x135
125-315B/4	11	15	87	24	125x125	245	68x69x135
125-400/4	30	40	100	50	125x125	375	71x54x105
125-400A/4	22	30	94	44	125x125	295	71x54x105
125-400B/4	18.5	25	87	37.5	125x125	257	71x54x100
125-200(I)/4	11	15	200	12.5	125x125	244	68x44x64
125-200(II)/4	7.5	10	179	10	125x125	210	68x42x62
125-250(I)/4	15	20	200	20	125x125	265	68x42x91
125-250(II)/4	11	15	184.4	17	125x125	241	68x42x91
125-250(III)/4	7.5	10	167	14	125x125	210	68x42x85
125-315(I)/4	22	30	200	32	125x125	335	74x47x98
125-315(II)/4	18.5	25	187	28	125x125	315	74x44x95
125-315(III)/4	15	20	173	24	125x125	265	74x44x95
125-400(I)/4	45	60	200	50	125x125	490	78x57x107
125-400(II)/4	37	50	187	44	125x125	454	78x56x105
125-400(III)/4	30	40	160	38	125x125	435	78x56x105
150-200/4	15	20	200	12.5	150x150	265	68x44x93
150-200A/4	11	15	179	10	150x150	244	68x44x89
150-250/4	18.5	25	200	20	150x150	300	70x48x96
150-250A/4	15	20	184.4	17	150x150	262	70x48x94
150-250B/4	11	15	167	14	150x150	241	70x45x90
150-315/4	30	40	200	32	150x150	410	76x53x108
150-315A/4	22	30	187	28	150x150	335	76x51x100
150-315B/4	18.5	25	173	24	150x150	315	76x51x96
150-400/4	45	60	200	50	150x150	490	80x60x112
150-400A/4	37	50	187	44	150x150	454	80x60x110
150-400B/4	30	40	174	38	150x150	435	80x56x108
150-400C/4	22	30	160	32	150x150	365	80x54x100
150-200(I)/4	15	20	200	12.5	150x150	265	68x44x93
150-200(II)/4	11	15	179	10	150x150	244	68x44x89
150-250(I)/4	18.5	25	200	20	150x150	305	75x48x96
150-250(II)/4	15	20	187	17.5	150x150	267	75x48x94
150-250(III)/4	11	15	173	14	150x150	246	75x45x90
150-315(I)/4	30	40	200	32	150x150	417	80x53x108
150-315(II)/4	22	30	187	28	150x150	342	80x51x100
150-315(III)/4	18.5	25	173	24	150x150	322	80x51x96
150-400(I)/4	45	60	200	50	150x150	498	86x60x112
150-400(II)/4	37	50	187	44	150x150	462	86x60x110
150-400(III)/4	30	40	173	37.5	150x150	443	86x56x108
150-400(IV)/4	22	30	160	32	150x150	373	86x54x100
200-200/4	15	20	200	12.5	200x200	265	68x44x93
200-200A/4	11	15	179	10	200x200	244	68x44x89
200-250/4	18.5	25	200	20	200x200	305	75x48x96
200-250A/4	15	20	184.4	17	200x200	267	75x48x94
200-250B/4	11	15	179	14	200x200	246	75x45x90
200-315/4	30	40	200	32	200x200	417	80x53x108
200-315A/4	22	30	187	28	200x200	342	80x51x100
200-315B/4	18.5	25	173	24	200x200	322	80x51x96
200-400/4	45	60	200	50	200x200	498	86x60x112

MODEL MODELO	Power Potencia		Flow Caudal	Head Altura	DN	Wt	Dim
	kw	hp					
200-400A/4	37	50	187	44	200x200	462	86x60x110
200-400B/4	30	40	174	38	200x200	443	86x56x108
200-400C/4	22	30	160	32	200x200	373	86x54x100
200-200(I)/4	22	30	400	12.5	200x200	382	81x53x103
200-200(II)/4	18.5	25	358	10	200x200	346	81x53x97
200-250(I)/4	30	40	400	20	200x200	475	83x53x111
200-250(II)/4	22	30	358	16	200x200	405	83x51x104
200-250(III)/4	18.5	25	322	13	200x200	387	83x51x100
200-315(I)/4	55	75	400	32	200x200	675	86x65x127
200-315(II)/4	45	60	374	28	200x200	560	86x63x118
200-315(III)/4	37	50	346	24	200x200	535	86x63x115
200-400(I)/4	75	100	400	50	200x200	830	88x70x134
200-400(II)/4	75	100	374	44	200x200	830	88x70x134
200-400(III)/4	55	75	346	38	200x200	685	88x64x127
200-400(IV)/4	45	60	320	32	200x200	580	88x60x119
250-250/4	45	60	550	20	250x250	620	111x55x115
250-250A/4	37	50	500	17	250x250	550	111x55x115
250-315/4	75	100	550	32	250x250	890	111x64x135
250-315A/4	55	75	500	28	250x250	690	111x64x135
250-315B/4	45	60	450	24	250x250	620	111x64x135
250-400/4	110	150	500	50	250x250	1530	120x90x156
250-400A/4	90	120	500	44	250x250	1320	120x90x146
250-400B/4	75	100	450	38	250x250	950	120x90x136
250-500/4	200	270	550	80	250x250	2000	130x90x192
250-500A/4	160	215	506	71	250x250	1850	130x90x173
250-500B/4	132	176	466	63.5	250x250	1750	130x90x169
300-250/4	55	75	720	20	300x300	690	125x60x151
300-250A/4	45	60	600	17	300x300	620	125x60x142
300-315/4	90	120	720	32	300x300	1320	100x67x153
300-315A/4	75	100	650	28	300x300	950	100x67x148
300-315B/4	55	75	580	24	300x300	750	100x67x148
300-400/4	110	150	720	50	300x300	1530	150x67x177
300-400A/4	110	150	637	44	300x300	1530	150x67x173
300-400B/4	90	120	563	38	300x300	1320	150x67x170
300-400C/4	75	100	561	33	300x300	950	150x67x153
300-500/4	250	335	720	80	300x300	2300	150x90x196
300-500A/4	200	270	675	70	300x300	2000	150x90x196
300-500B/4	160	215	625	60	300x300	1850	150x90x196
350-315/4	90	120	800	32	350x350	1650	130x68x140
350-315A/4	75	100	1080	17	350x350	1250	130x68x140
350-400/4	160	215	800	50	350x350	1950	130x68x182
350-400A/4	132	176	1080	28	350x350	1750	130x68x172
350-315(II)/4	160	215	1200	32	350x350	1950	130x68x182
350-315(III)/4	132	176	1092	28	350x350	1750	130x68x172
350-315(IV)/4	110	150	994	25	350x350	1530	130x68x162
350-400(I)/4	250	335	1200	50	350x350	2300	130x68x182
350-400(II)/4	250	335	1092	44	350x350	2300	130x68x182
350-400(III)/4	200	270	994	38.5	350x350	2000	130x68x172